



VERSAFLOOD III™ INDUCTION SIGN LIGHTER

APPLICATIONS

- For signlighting, recreational signlighting and facade lighting.

SPECIFICATIONS

- 5 year warranty
- / 1598 Listed
Suitable For Wet Locations
- Corrosion Resistant Hardware
- Dark Sky optional top-mount version is available (use T option)
- Stainless steel hinged door latch
- UV stabilized powder-coat paint finish
- Heavy gauge die formed aluminum housing
- Weather resistant gasket system
- Socket is pulse-rated porcelain, nickel contacts
- Passes ANSI vibration testing of 1.5g
- Passes ASTM B117 1000 hour salt fog

INDUCTION LAMP/BALLAST SYSTEM

FEATURES:

- 80+ CRI
- Lamp/ballast system life is rated 100,000 hours (vs 24,000 for HPS)
- Instant On and Instant Restrike
- 4000K Color Temperature
- 5 year warranty
- Minimum Start -30°F
- Max ambient 55°C

INDUCTION ORDERING NUMBER LOGIC

V3SL	85	Q	1	E	B	SN4	GR	F
PRODUCT IDENT	WATTAGE	LIGHT SOURCE	VOLTAGE	BALLAST TYPE	MOUNTING	IES DISTRIBUTION TYPE	COLOR	OPTIONS
XXXX	XX	X	X	X	XXX	XXX	X	XXX
V3SL = Versaflood 3 Signliter Bottom Mounting V3ST = Versaflood 3 Top Mount	85 = 85 watt	Q = 85 watt OL Induction Lamp/ Ballast system	1 = 120 G = 200 - 277 VOLT 50/60 hz AC/ DC	E = Electronic Ballast	A = 1 1/4" Slipfitter B = 2" Slipfitter C = Plate for Bottom mtg only (V3SL) E = Track Plate Mounting for bottom mtg only (V3SL)	SN4	GR = Gray	F = Fusing S = Side Glare Shield T = Top Mount Full Glare shield for 0 light @ 90 (use only with V3ST)

VERSAFLOOD III™ INDUCTION SIGN LIGHTER

FIXTURE DIMENSIONS

SLIPFITTER MOUNT

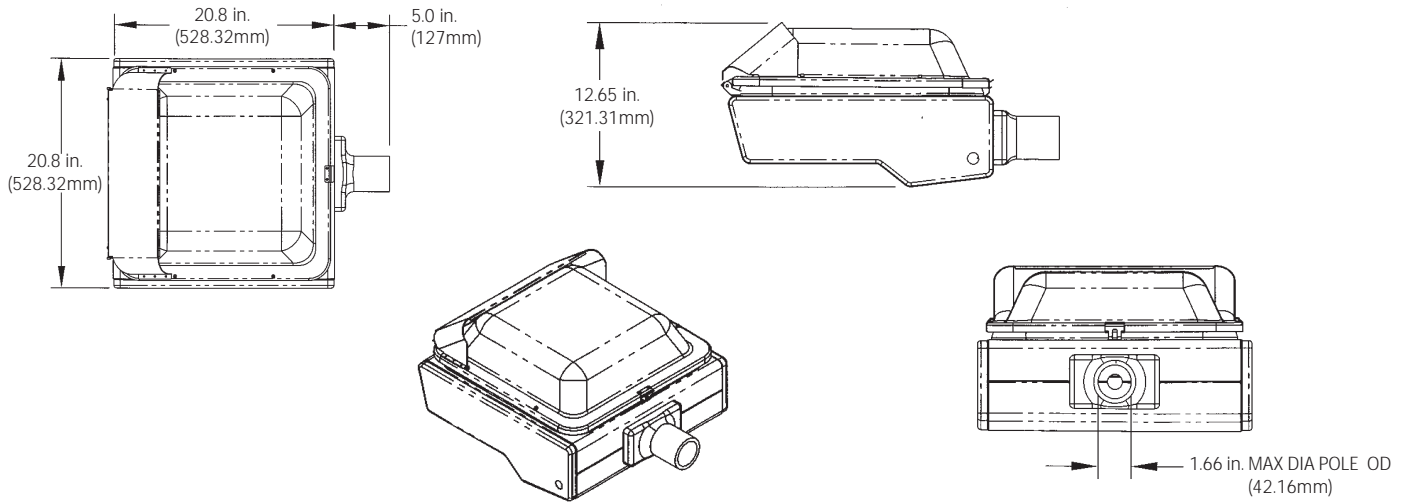
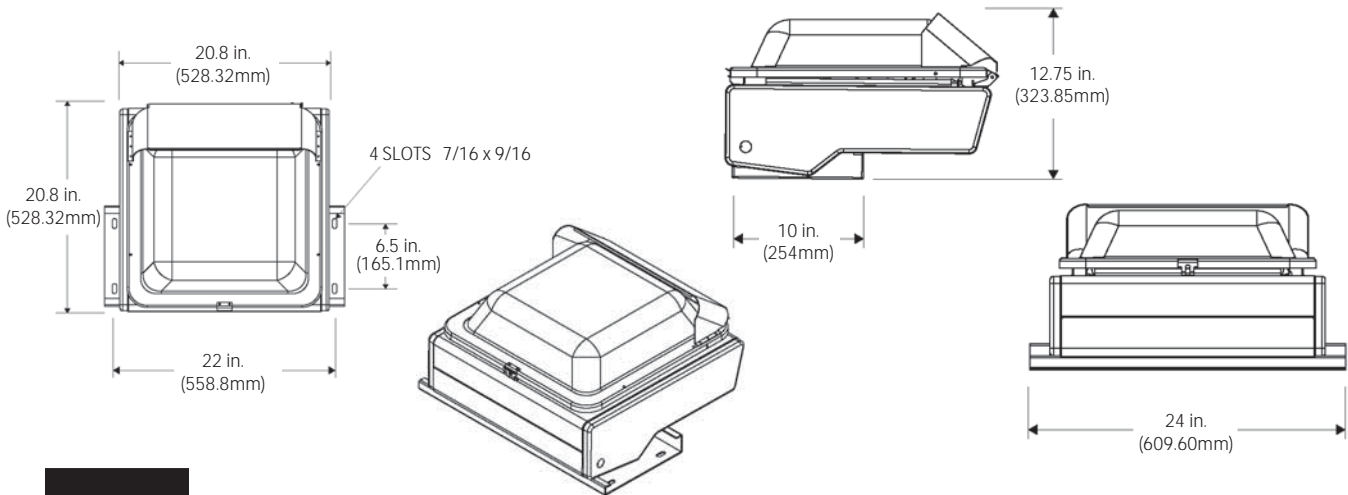


PLATE MOUNT



DATA

Approximate Net Weight 22 lbs 9.98 kgs

PHOTOMETRIC SELECTION TABLE

Wattage	Light Source	IES Distribution	Photometric Curve Number
85	QL Induction	SN4	35 - 45 2982

*Contact factory for other photometric curves