

**TraFFix
Devices Inc.**

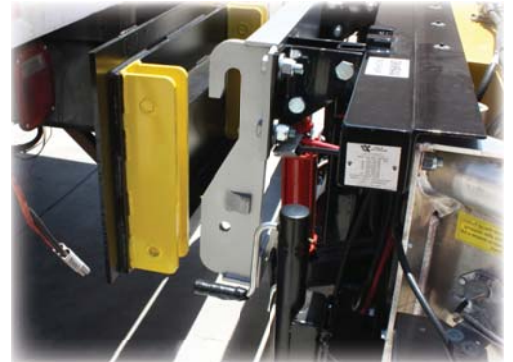


**Scorpion® TMA
Fast-Trak
SwiftConnect™**

PRODUCT BULLETIN



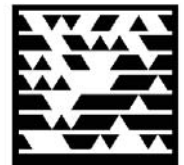
Scorpion® Truck Mounted Attenuator



Fast-Trak SwiftConnect™

- Quickly and securely connect the Scorpion® Truck Mounted Attenuator to any heavy-duty vehicle with the Fast-Trak SwiftConnect™
- Eliminate use of a single dedicated host vehicle with the Fast-Trak SwiftConnect™ for the Scorpion® Truck Mounted Attenuator
- Connection/Disconnection is the fastest in the industry
- Fast-Trak SwiftConnect™ allows the Scorpion® TMA to connect in as little as a minute
 1. Back up truck to Fast-Trak SwiftConnect™
 2. Align mounting hooks over connection bars
 3. Lower into place
 4. Plug in electrical
 5. Insert lock pins
- Easy to install on multiple vehicles in your fleet

Tag for Instant Video



Get the free mobile app at
<http://gettag.mobi>

www.traffixdevices.com

Scorpion® TMA Fast-Trak SwiftConnect™



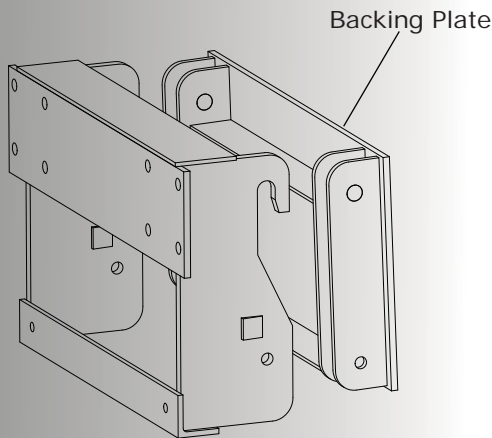
Back Up



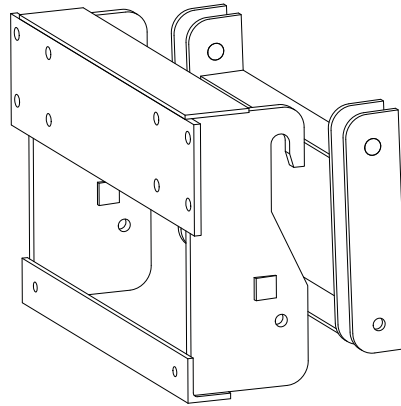
Connect

Fast-Trak SwiftConnect™

- Get the Fast-Trak SwiftConnect™ for your Scorpion® Truck Mounted Attenuator for the quickest, easiest connection to your vehicles.
- Safe and secure, the Fast-Trak SwiftConnect™ is easy to install on any of your flat bed or dump trucks.
- All steel construction provides excellent durability while the swift connection delivers maximum flexibility for your fleet.
- Another innovative engineering advancement from TraFFix Devices, Inc.



With Backing Plate
Part # 11140



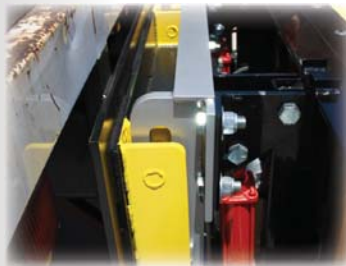
Without Backing Plate
Part # 11145



Optional Vertical
Arrowboard Lift
Part # 11150



Back up truck



Align hooks over bars



Plug in



Crank down and insert pins



**TraFFix
Devices Inc.**
160 Avenida La Pata, San Clemente, CA 92673
(949) 361-5663 FAX (949) 361-9205
www.traffixdevices.com

Distributed by: